

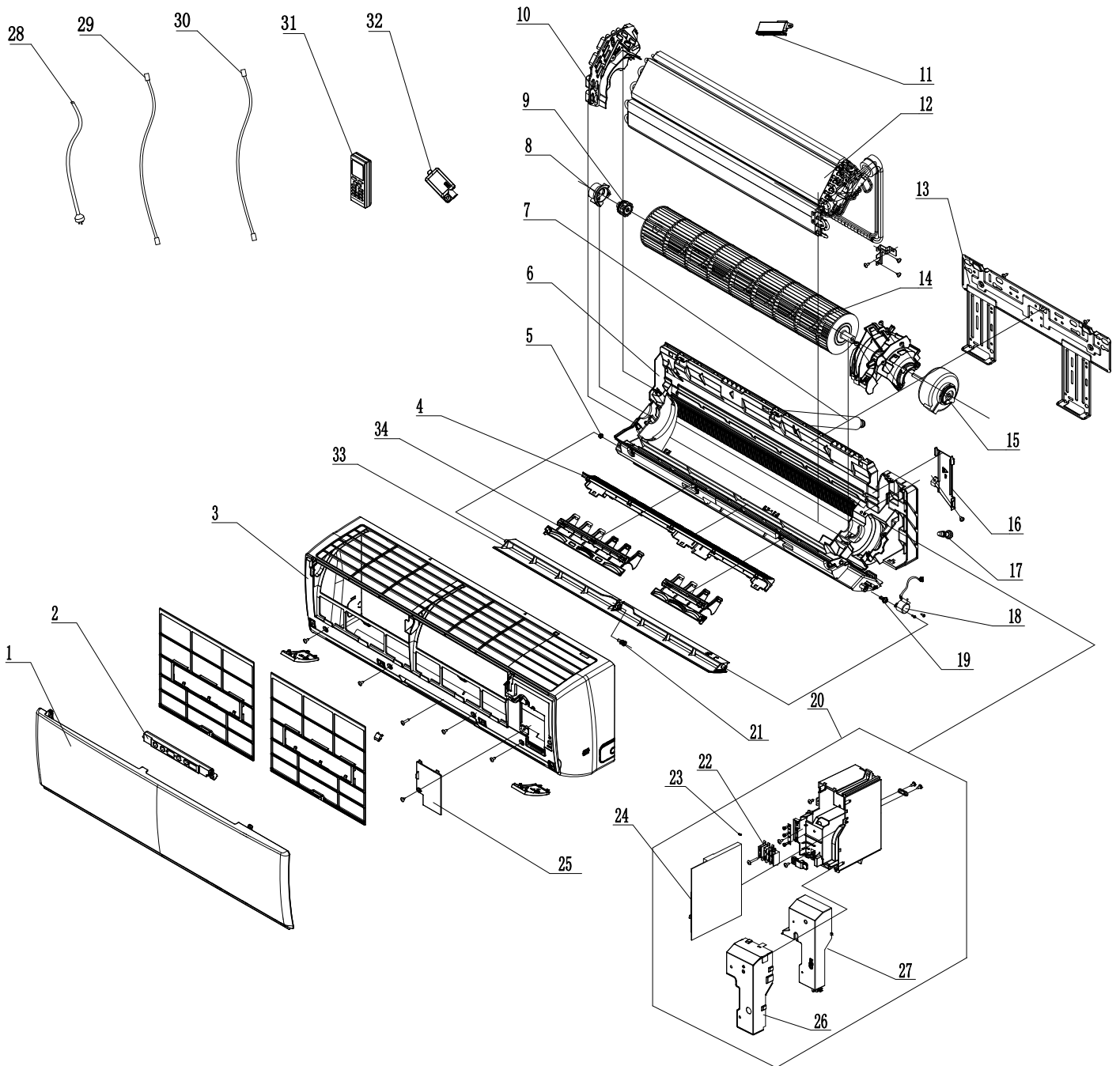


LOMO
WALL SPLIT
AIR CONDITIONER
SPARE PARTS LIST

February 2023

GWH09QC-K3DNB2A/I

Exploded View



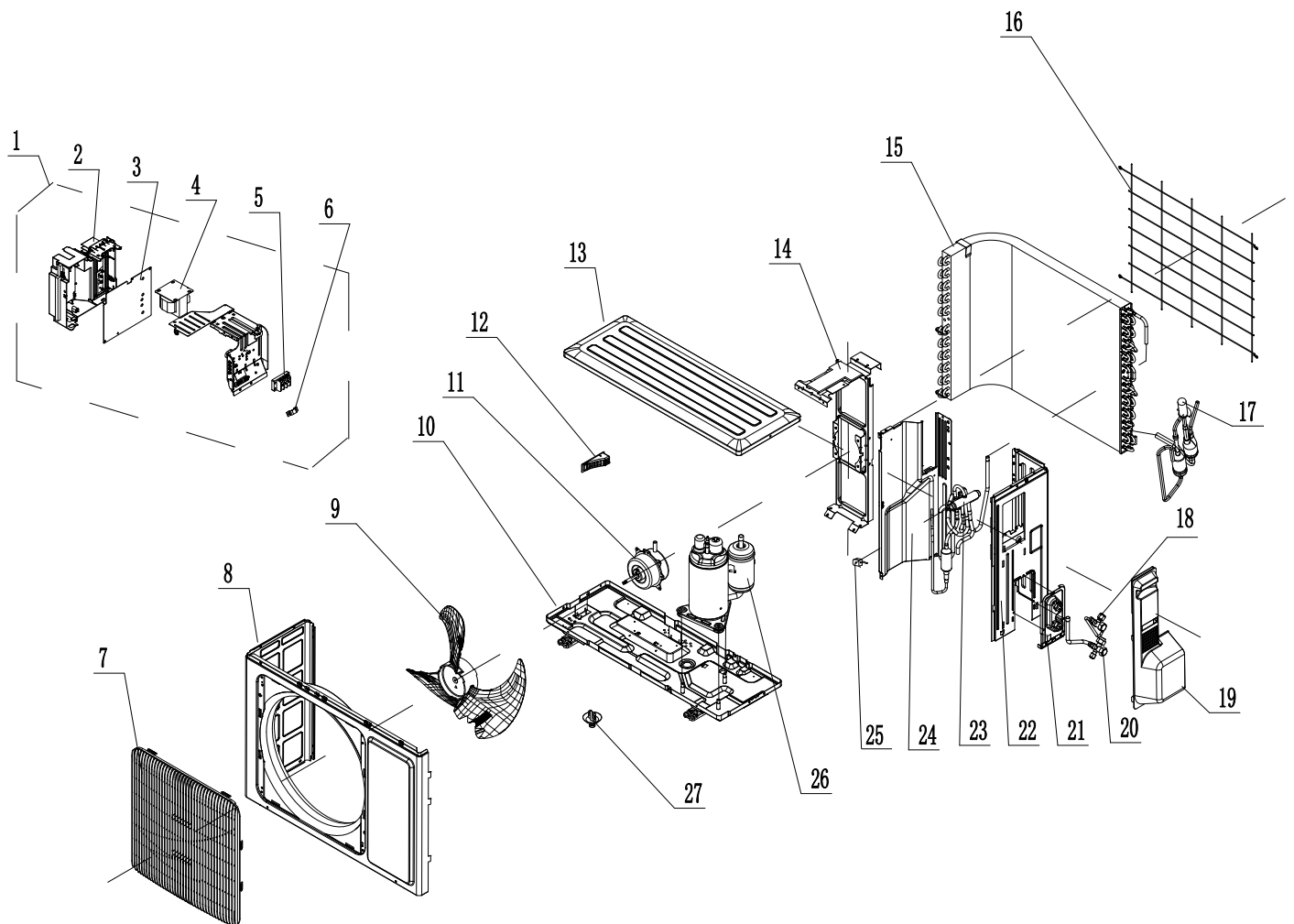
GWH09QC-K3DNB2A/I

Spare Parts List

No.	Part Description	Part Code
1	Front Panel B2	20000300018S
2	Display Board	30565260
3	Front Case Assy	00000200045
4	Helicoid Tongue	26112436
5	Left Axile Bush	10512037
6	Rear Case assy	00000100092
7	Drainage Hose	05230014
8	Ring of Bearing	26152022
9	O-Gasket sub-assy of Bearing	76512051
10	Evaporator support	24212179
11	Cold Plasma Generator	N/A
12	Evaporator Assy	0100297608
13	Wall Mounting Frame	01252484
14	Cross Flow Fan	10352056
15	Fan Motor	1501246601
16	Connecting pipe clamp	2611216401
17	Rubber Plug (Water Tray)	76712012
18	Stepping Motor	1521210108
19	Crank	73012005
20	Electric Box Assy	100002001382
21	Axile Bush	10542036
22	Terminal Board	42011233
23	Jumper	4202021909
24	Main Board	300002060249
25	Electric Box Cover Sub-Assy	0140206501
26	Electric Box Cover Sub-Assy	017053060075
27	Electric Box Cover	20112207
28	Power Cord	N/A
29	Connecting Cable	N/A
30	Connecting Cable	4002052318
31	Remote Control	305001060019
32	Board Assy	000409000001
33	Guide Louver	1051293101
34	Air Louver (Auto)	10512727

GWH09QC-K3DNB2A/O

Exploded View



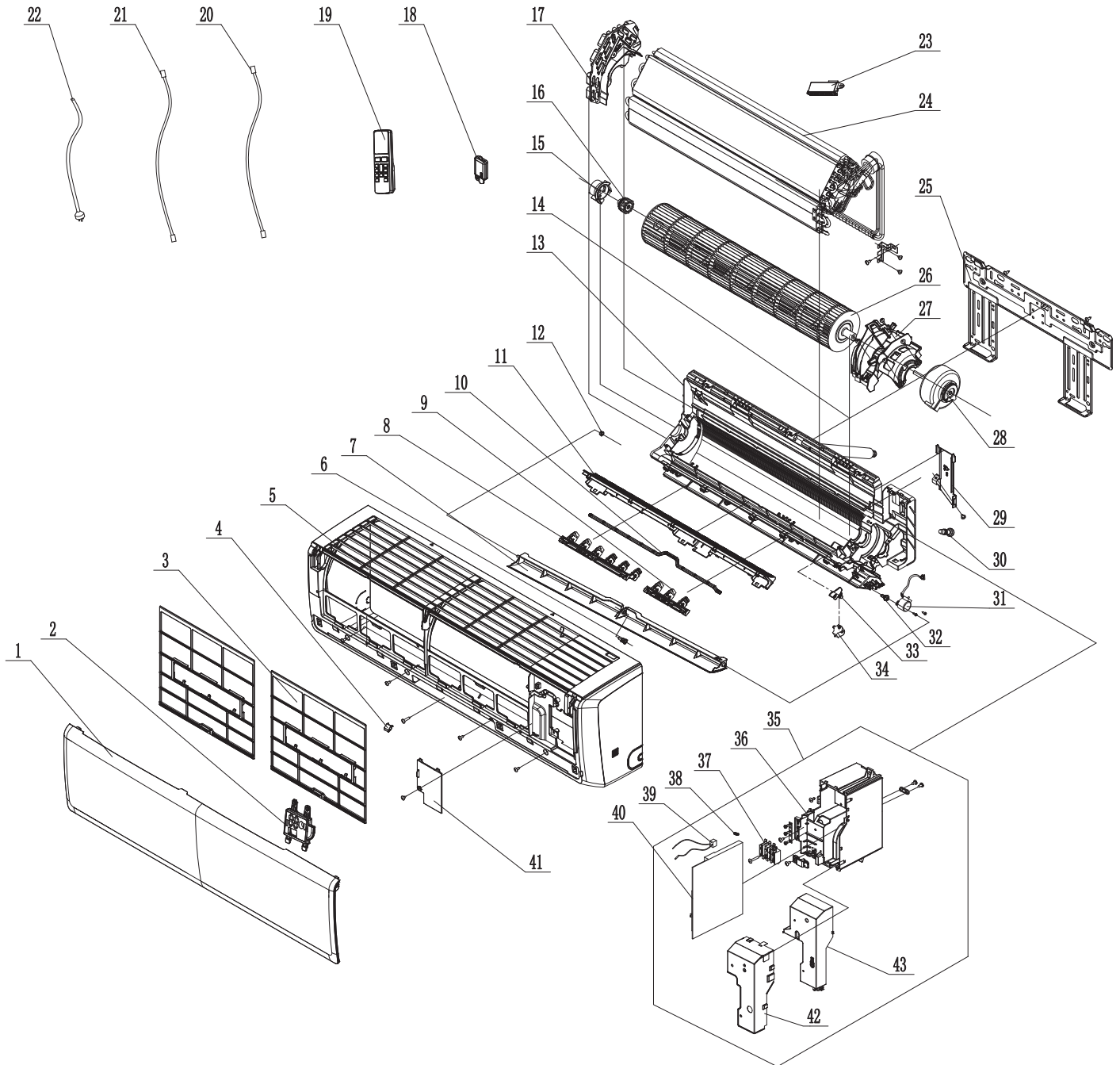
GWH09QC-K3DNB2A/O

Spare Parts List

No.	Part Description	Part Code
1	Electric Box Assy	100002060880
2	Electric Box Sub-Assy	017007060150
3	Main Board	300027060169
4	Reactor	43130184
5	Terminal Board	422000060016
6	Wire Clamp	71010103
7	Front Grill	22413043
8	Front Panel Assy	0000030001510
9	Axial Flow Fan	10333004
10	Base Plate Sub-Assy	017000060086P
11	Brushless DC Motor	1501308511
12	Small Handle	26233100
13	Top Cover Sub-Assy	000051060006
14	Motor Support	0170310401
15	Condenser Assy	011002060195
16	Rear Grill	01473009
17	Electronic Expansion Valve	030026060105
18	Valve	07100003
19	Big Handle	262334332
20	Cut off Valve	071302391
21	Valve Support	0171314201P
22	Right Side Plate Sub-Assy	0130317801
23	4-way Valve Assy	030152060084
24	Clapboard Sub-Assy	0123338502
25	Magnet Coil	4300040050
26	Compressor and Fittings	009001060050
27	Drainage Connector	06123401
	EXV Coil	72002000012

GWH12QC-K3DNB2D/I

Exploded View



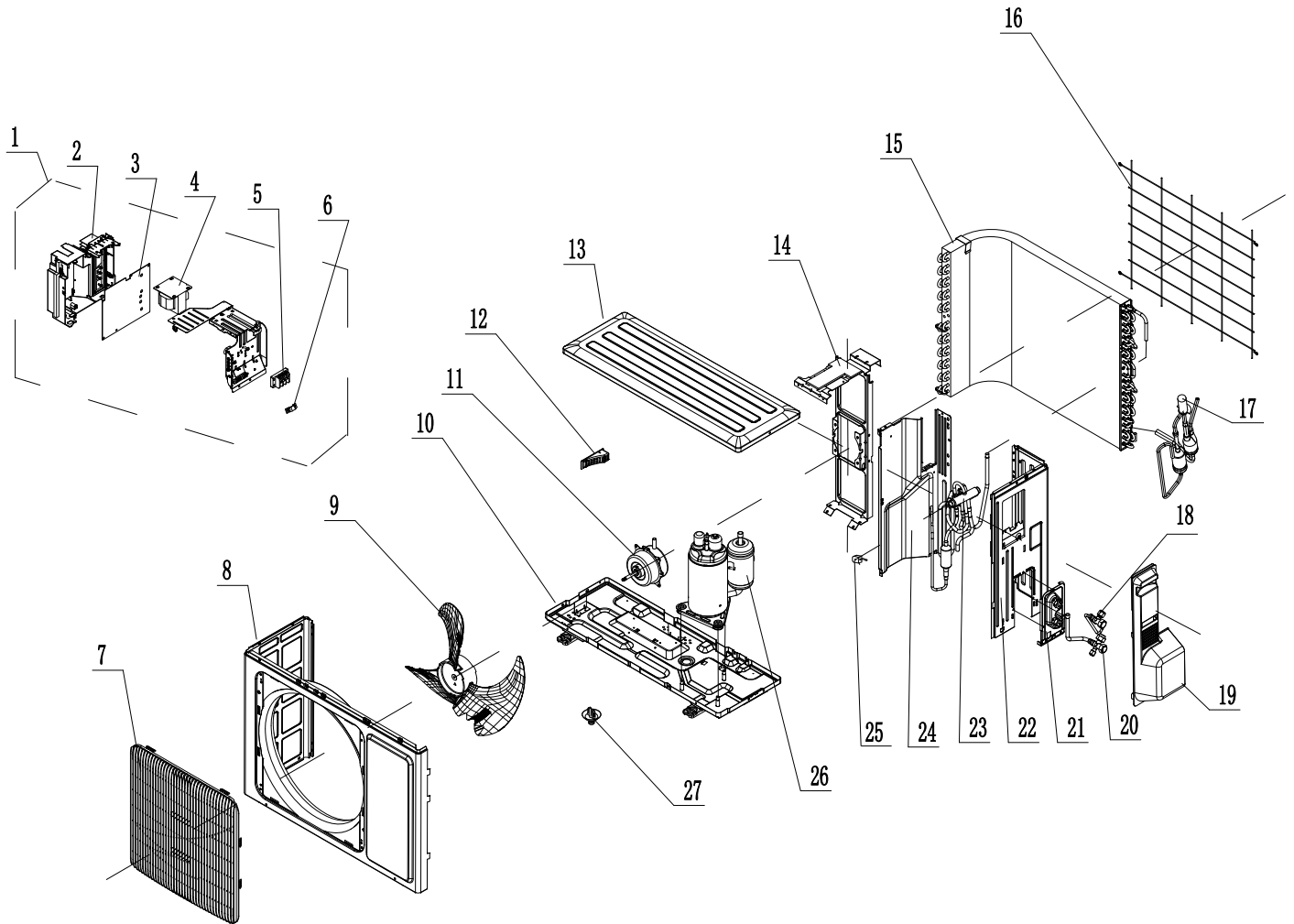
GWH12QC-K3DNB2D/I

Spare Parts List

No.	Part Description	Part Code
1	Front Panel	20000300018T
2	Display Board	30565260
3	Filter Sub-Assy	1112246803
4	Screw Cover	2425203001
5	Front Case Assy	00000200045
6	Axile Bush	10542036
7	Guide Louver	1051293101
8	Air Louver (left)	10512725
9	Air Louver(right)	10512726
10	Swing Lever	10582459
11	Helicoid Tongue	26112436
12	Left Axile Bush	10512037
13	Rear Case assy	00000100092
14	Drainage Hose	05230014
15	Ring of Bearing	26152022
16	O-Gasket sub-assy of Bearing	76512051
17	Evaporator Support	24212174
18	Test Board Assy	000409060015
19	Remote Control	305001060019
20	Connecting Cable	N/A
21	Connecting Cable	4002052318
22	Power Cord	none
23	Cold Plasma Generator	N/A
24	Evaporator Assy	0100200003002
25	Wall Mounting Frame	01204300000401
26	Cross Flow Fan	10352056
27	Motor Press Plate	26112516
28	Brushless DC Motor	15010406002902
29	Connecting pipe clamp	2611216401
30	Rubber Plug (Water Tray)	76712012
31	SteppingMotor	1521210710
32	Crank	73012005
33	Air Louver (Auto)	10512727
34	Stepping Motor	1521210108
35	Electric Box Assy	100002064335
36	Electric Box	2011220603
37	Terminal Board	42011233
38	Jumper	4202021920
39	Temperature Sensor	3900031302
40	Main Board	300002060249
41	Electric Box Cover Sub-Assy	0140206501
42	Electric Box Cover Sub-Assy	017053060075
43	Electric Box Cover	N/A

GWH12QC-K3DNB2D/O

Exploded View



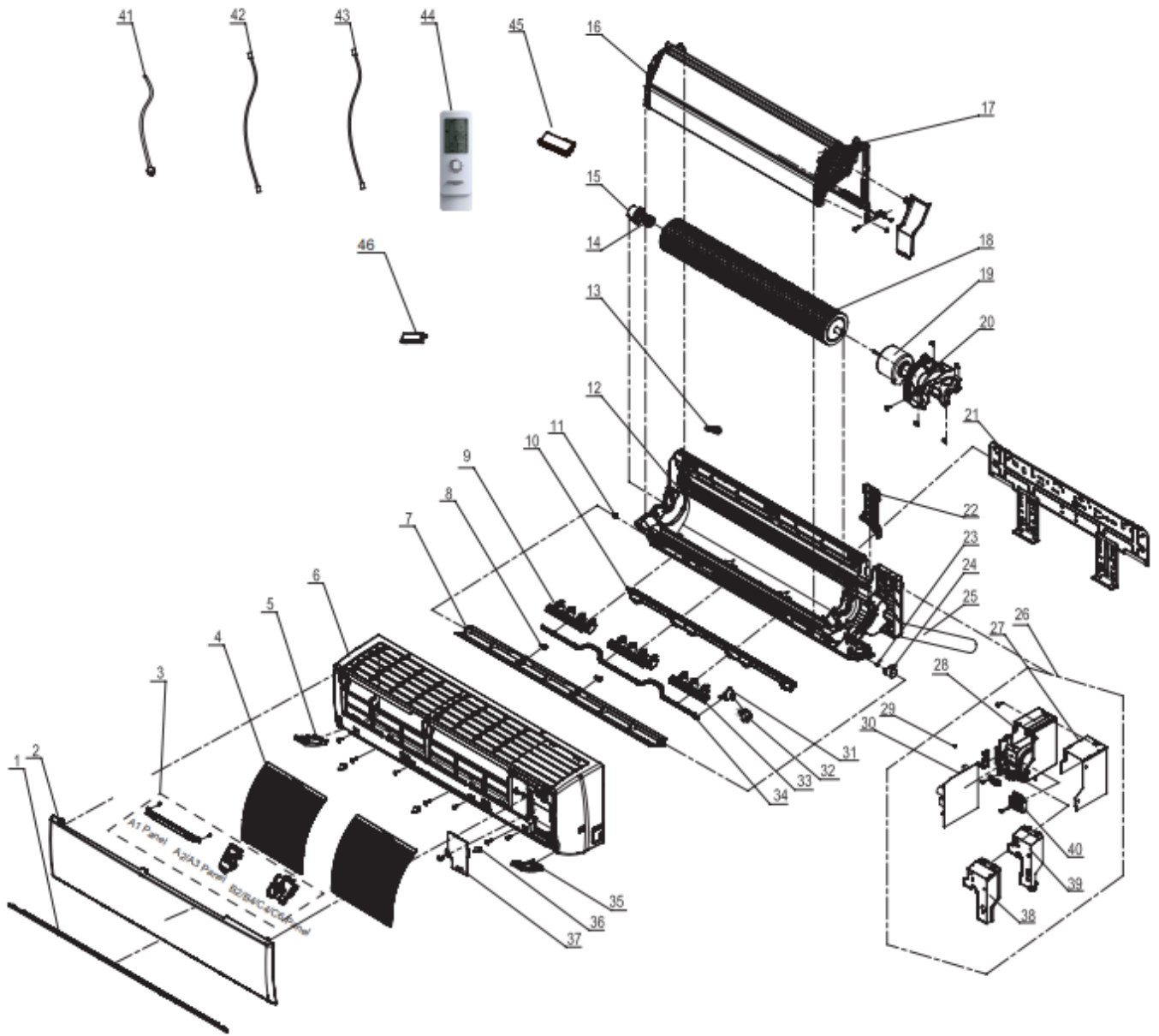
GWH12QC-K3DNB2D/O

Spare Parts List

No.	Part Description	Part Code
1	Electric Box Assy	100002061460
2	Electric Box Sub-Assy	017007060233
3	Main Board	300027060183
4	Reactor	43130184
5	Terminal Board	422000060016
6	Wire Clamp	71010103
7	Front Grill	22413044
8	Front Panel Assy	0153305205
9	Axial Flow Fan	10333011
10	Base Plate Sub-Assy	017000060083P
11	Brushless DC Motor	1501308511
12	Small Handle	N/A
13	Top Cover Sub-Assy	000051060003
14	Motor Support	01703136
15	Condenser Assy	011002060209
16	Rear Grill	01475014
17	Electronic Expansion Valve	030026060122
18	Cut off Valve	07130239
19	Big Handle	2623343106
20	Cut off Valve	071302391
21	Valve Support	0171314201P
22	Right Side Plate Assy	00008100003301
23	4-way Valve Assy	030152060090
24	Clapboard Sub-Assy	01233180
25	Magnet Coil	4300040050
26	Compressor and Fittings	009001060066
27	Drainage Joint	26113009
	EXV Coil	72002000012

GWH18QD-K3DNB2L/I

Exploded View



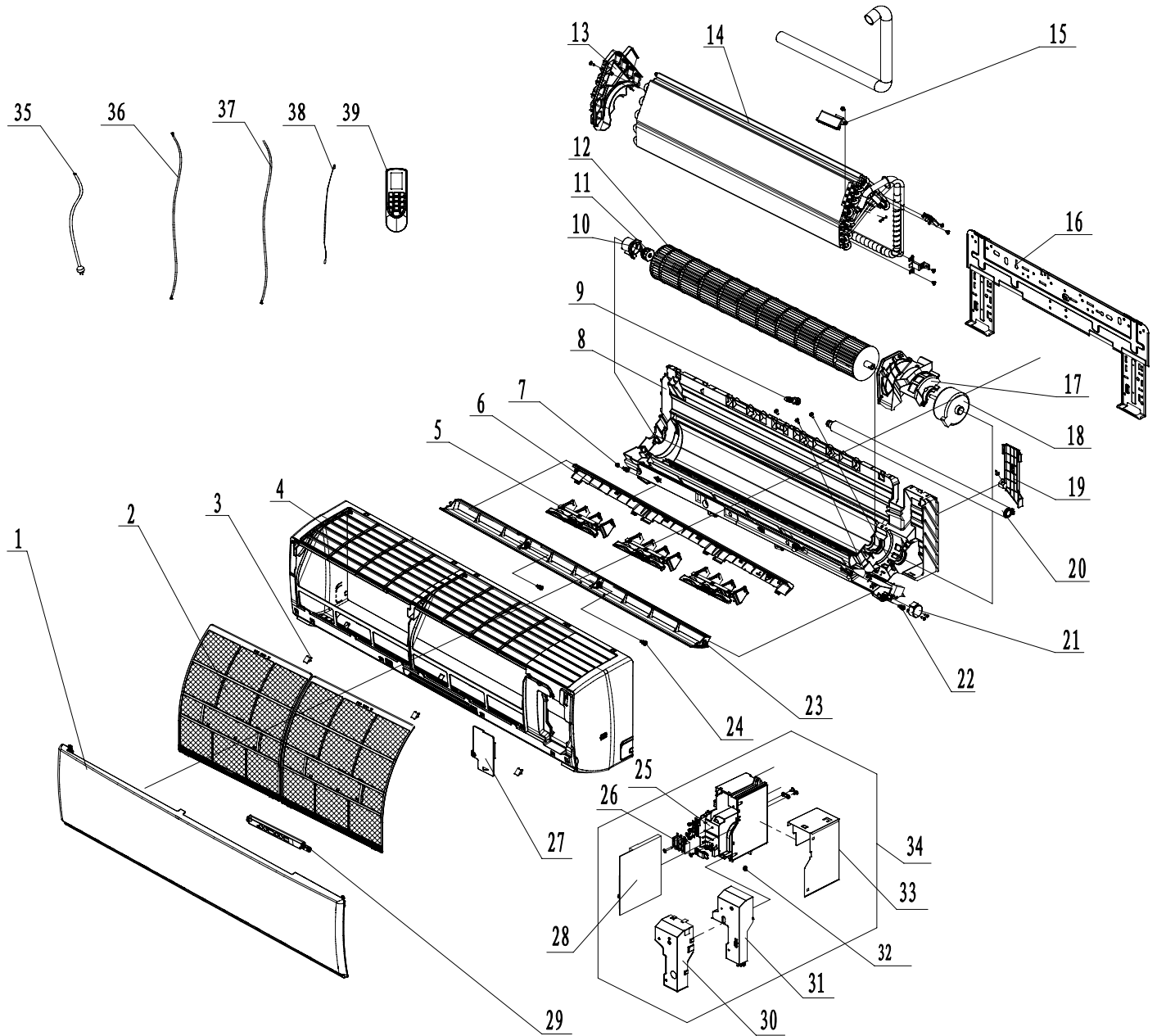
GWH18QD-K3DNB2L/I

Spare Parts List

No.	Part Description	Part Code
1	Decorative Strip	N/A
2	Front Panel Assy	00000200042
3	Display Board	30565260
4	Filter Sub-Assy	1112208906
5	Decorative Board (Left)	20192662
6	Front Case	2002248401
7	Guide Louver	1051276501
8	Axile Bush	10542036
9	Air Louver 1	10512733
10	Helicoid Tongue	26112512
11	Left Axile Bush	10512037
12	Rear Case assy	00000100001
13	Rubber Plug (Water Tray)	76712012
14	O-Gasket of Cross Fan Bearing	76512203
15	Ring of Bearing	26152025
16	Evaporator Support	24212177
17	Evaporator Assy	011001000146
18	Cross Flow Fan	10352060
19	Fan Motor	15012136
20	Motor Press Plate	26112511
21	Wall Mounting Frame	01362026
22	Connecting pipe clamp	2611218801
23	Crank	73012005
24	Stepping Motor	1521240212
25	Drainage Hose	05230014
26	Electric Box Assy	100002064351
27	Lower Shield of Electric Box	01592139
28	Electric Box	20112211
29	Jumper	4202021925
30	Main Board	300002060249
31	Air Louver	10512736
32	Stepping Motor	1521210704
33	Air Louver 2	10512735
34	Swing Lever	10512731
35	Decorative Board (Right)	20192662
36	Screw Cover	2425201726
37	Electric Box Cover2	20112210
38	Shield Cover of Electric Box	01592139
39	Electric Box Cover	20112209
40	Terminal Board	42011233
41	Power Cord	N/A
42	Connecting Cable	N/A
43	Connecting Cable	4002052317
44	Remote Controller	305001060019
45	Cold Plasma Generator	N/A
46	Detecting Plate	30110144

GWH18QD-K6DNC8D/I

Exploded View



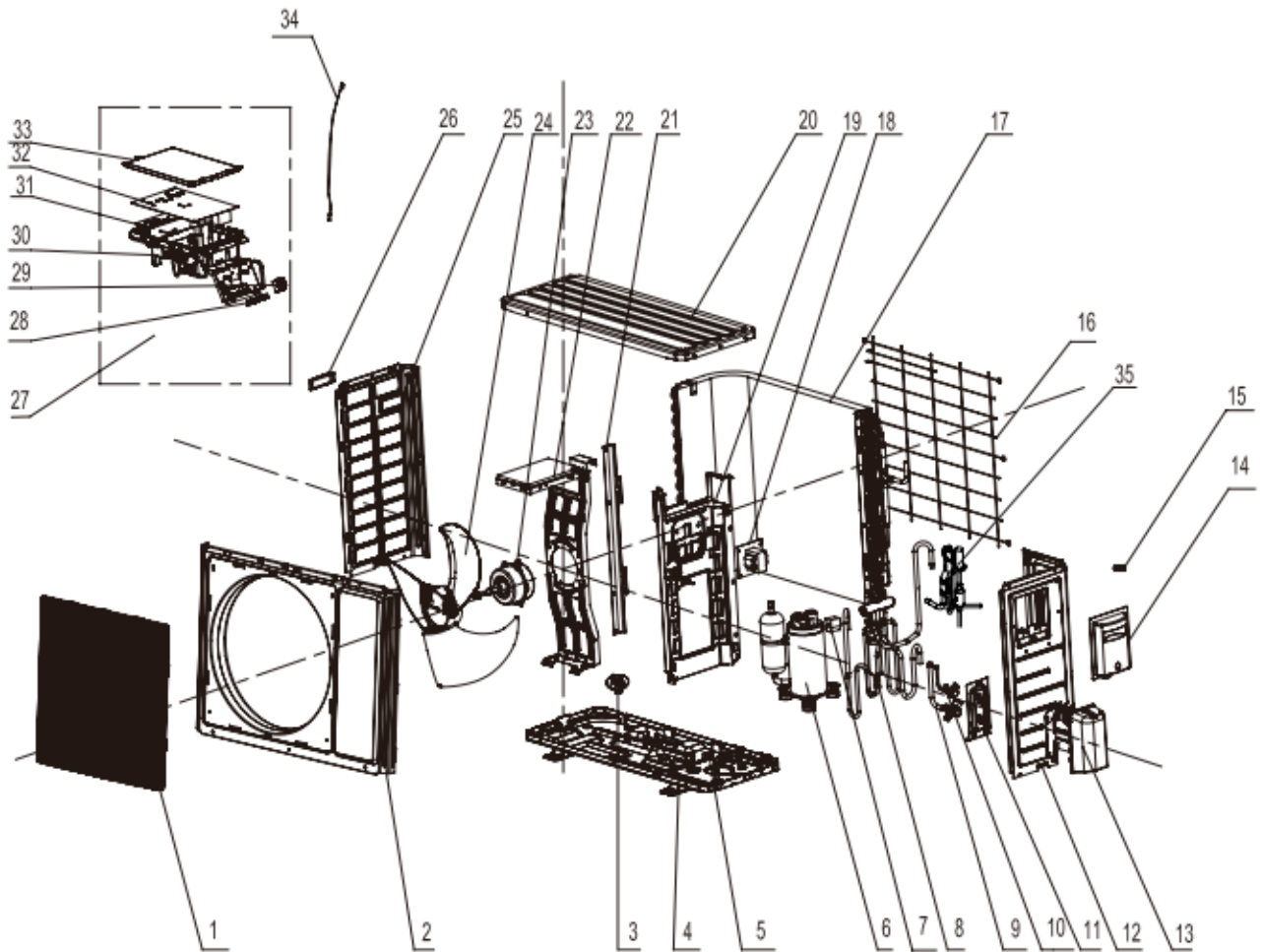
GWH18QD-K6DNC8D/I

Spare Parts List

No.	Part Description	Part Code
1	Front Panel	20000300152
2	Filter Sub-Assy	1101200703
3	Screw Cover	2425245301
4	Front Case Assy	00000200043
5	Air Louver	10512744
6	Helicoid Tongue sub-assy	26112384
7	Left Axile Bush	10512037
8	Rear Case assy	22202736
9	Rubber Plug (Water Tray)	76712012
10	Ring of Bearing	26152025
11	O-Gasket sub-assy of Bearing	76512051
12	Cross Flow Fan	10352057
13	Evaporator Support	24212178
14	Evaporator Assy	01100100007301
15	Cold Plasma Generator	N/A
16	Wall Mounting Frame	012043000007
17	Motor Press Plate	26112515
18	Fan Motor	15012136
19	Connecting pipe clamp	26112514
20	Drainage Hose	0523001405
21	Stepping Motor	1521240212
22	Crank	73012005
23	Guide Louver	1051232001
24	Axile Bush	10542036
25	Electric Box	20112211
26	Terminal Board	42011233
27	Electric Box Cover2	20112210
28	Main Board	300002000878
29	Display Board	300001000144
30	Shield Cover of Electric Box	01592176
31	Electric Box Cover	20112209
32	Jumper	4202021928
33	Lower Shield of Electric Box	01592139
34	Electric Box Assy	100002004078
35	Power Cord	N/A
36	Connecting Cable	4002052318
37	Connecting Cable	N/A
38	Temperature Sensor	3900031302
39	Remote Controller	305001000067

GWH18QD-K3DNB2L/O

Exploded View



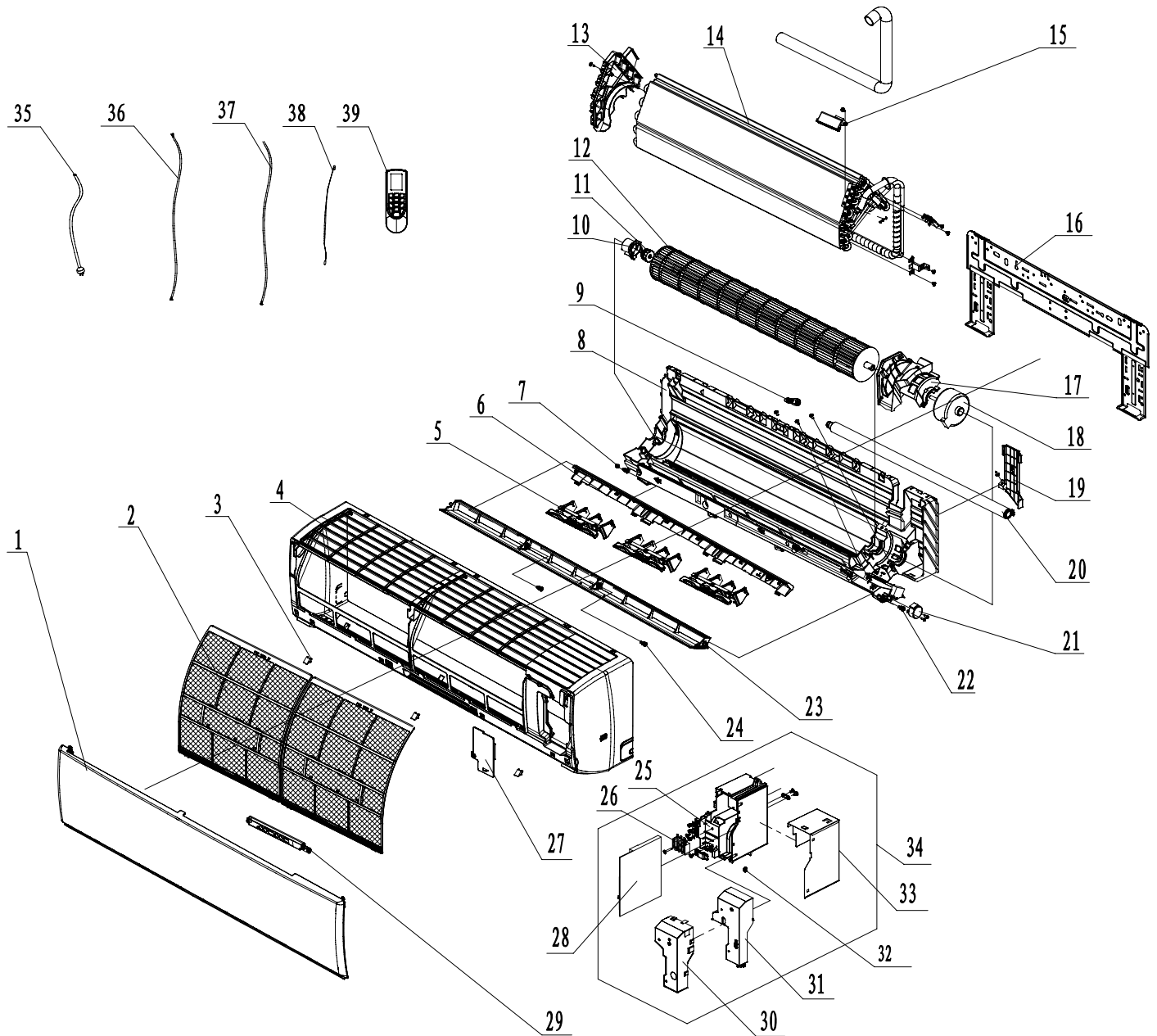
GWH18QD-K3DNB2L/O

Spare Parts List

No.	Part Description	Part Code
1	Front Grill	22413045
2	Front Panel	01535013P
3	Drainage Connector	06123401
4	Chassis Sub-assy	02803231P
5	Drainage hole Cap	06813401
6	Compressor and fittings	009001060006
7	Magnet Coil	4300876704
8	4-Way Valve Assy	030152060089
9	Cut off Valve Assy 1/2	07133774
10	Cut off Valve Sub-Assy	0713506803
11	Valve support assy	01715010P
12	Right Side Plate	0130509402P
13	Valve Cover	22245002
14	Handle	2623525404
15	Wiring Clamp	26115004
16	Rear Grill	01473043
17	Condenser Assy	011002060206
18	Reactor	N/A
19	Clapboard Assy	01235088
20	Coping	012049000007P
21	Supporting Board(Condenser)	01795010
22	Motor Support Sub-Assy	01705036
23	Fan Motor	1501506402
24	Asial Flow Fan	10335008
25	Left Side Plate	01305093P
26	Left Handle	26233053
27	Electric Box Assy	100002061532
28	Wire Clamp	71010003
29	Terminal Board	422000060009
30	Electric Box	20115003
31	Radiator	4901521502
32	Main Board	300027060181
33	Insulated Board (Cover of Electric Box)	20113003
34	Temperature Sensor	3900030901
	EXV Coil	7200200001203

GWH21QE-K3DNB2A/I

Exploded View



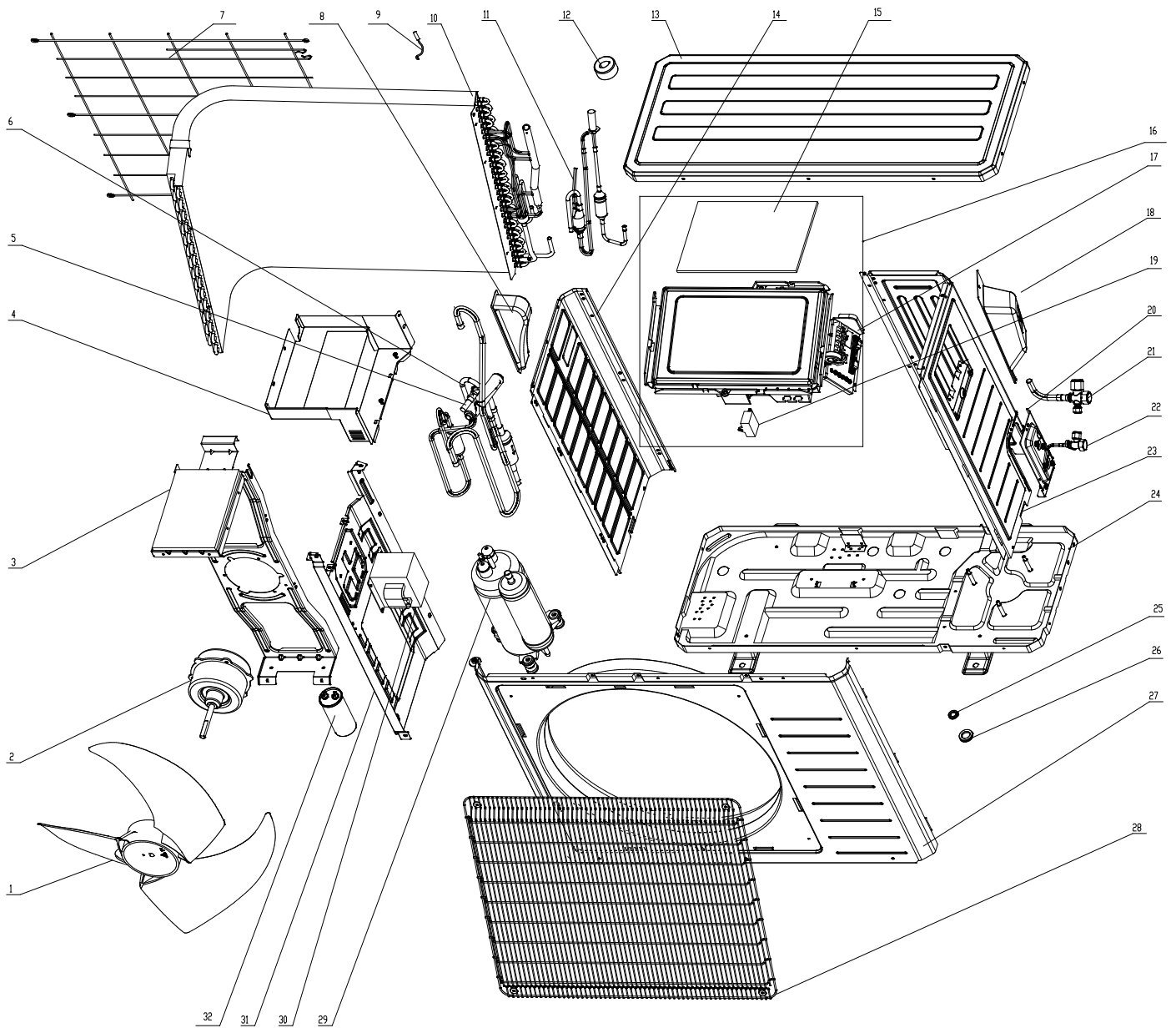
GWH21QE-K3DNB2A/I

Spare Parts List

No.	Part Description	Part Code
1	Front Panel	20000300016S
2	Filter Sub-Assy	1101200703
3	Screw Cover	2425245301
4	Front Case Assy	00000200043
5	Air Louver	10512744
6	Helicoid Tongue sub-assy	26112384
7	Left Axile Bush	10512037
8	Rear Case assy	22202736
9	Rubber Plug (Water Tray)	76712012
10	Ring of Bearing	26152025
11	O-Gasket sub-assy of Bearing	76512051
12	Cross Flow Fan	10352057
13	Evaporator Support	24212178
14	Evaporator Assy	011001060241
15	Cold Plasma Generator	N/A
16	Wall Mounting Frame	012043000007
17	Motor Press Plate	26112515
18	Fan Motor	15012136
19	Connecting pipe clamp	26112514
20	Drainage Hose	0523001405
21	Stepping Motor	1521240212
22	Crank	73012005
23	Guide Louver	1051232001
24	Axile Bush	10542036
25	Electric Box	20112211
26	Terminal Board	42011233
27	Electric Box Cover2	20112210
28	Main Board	300002060249
29	Display Board	30565260
30	Shield Cover of Electric Box	01592176
31	Electric Box Cover	20112209
32	Jumper	4202021927
33	Lower Shield of Electric Box	01592139
34	Electric Box Assy	100002064334
35	Power Cord	N/A
36	Connecting Cable	4002052318
37	Connecting Cable	N/A
38	Temperature Sensor	3900031302
39	Remote Control	305001060019

GWH21QE-K3DNB2A/O

Exploded View



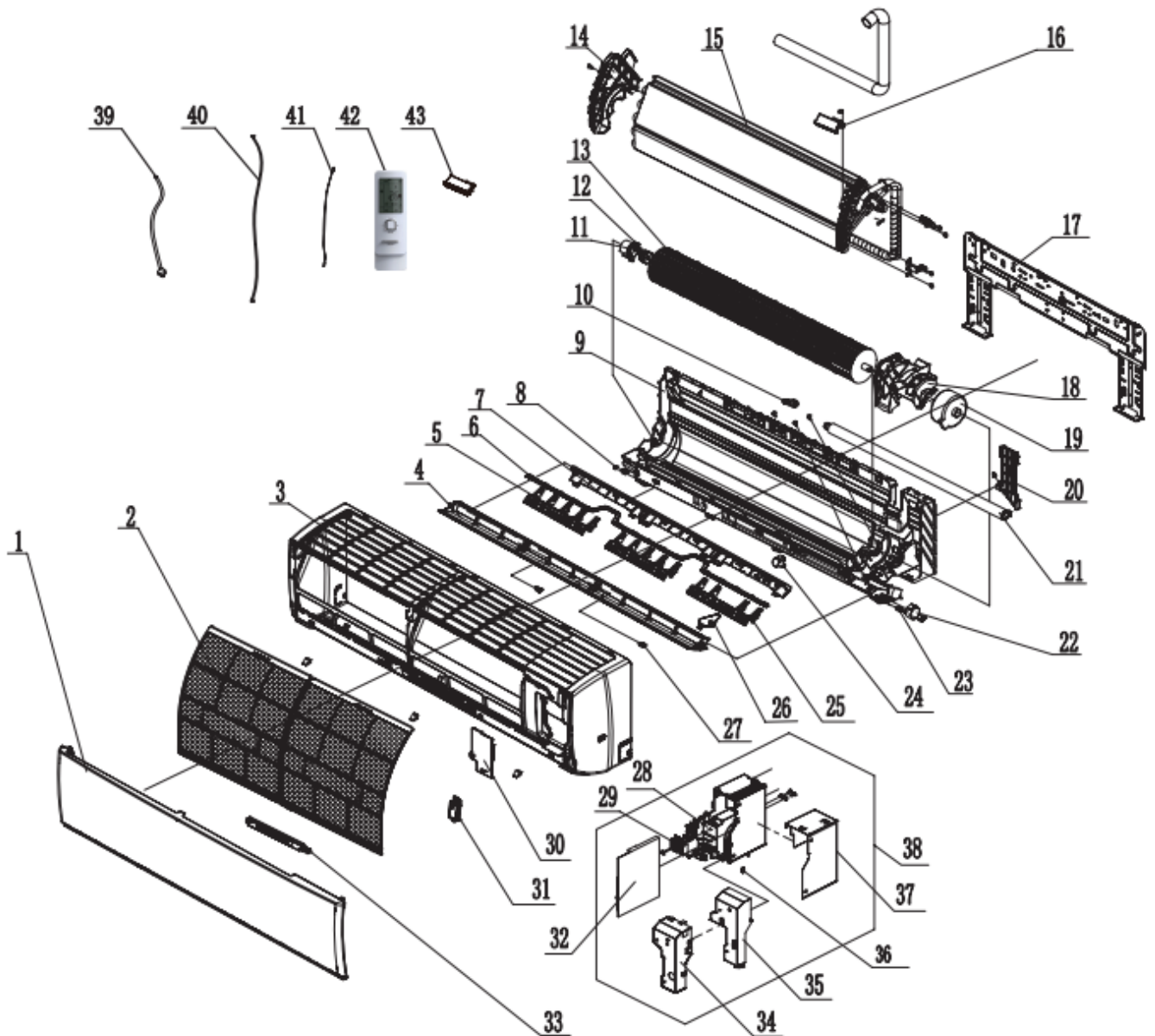
GWH21QE-K3DNB2A/O

Spare Parts List

No.	Part Description	Part Code
1	Axial Flow Fan	10335008
2	Fan Motor	1501506402
3	Motor Support Sub-Assy	01705036
4	Electric box (fireproofing)	N/A
5	Magnet Coil	4300040087
6	4-way Valve Assy	030152060101
7	Rear Grill	01473043
8	Left Handle	N/A
9	Temperature Sensor	3900030902
10	Condenser Assy	011002060219
11	Electronic Expansion Valve	030174060032
12	Electric Expand Valve Fitting	07200200001202
13	Coping Sub-Assy	000051000017
14	Left Side Plate	01305093P
15	Insulated Board (Cover of Electric Box)	20113003
16	Electric Box Assy	100002061575
17	Terminal Board	422000060009
18	Handle	26233053
19	Capacitor CBB61S	N/A
20	Valve Support Assy	01715010P
21	Cut off Valve	071302392
22	Cut off Valve	0713506803
23	Right Side Plate Assy	0130329201
24	Chassis Sub-assy	02803297P
25	Drainage Connector	06123401
26	Drainage Plug	N/A
27	Front Panel Assy	01533058
28	Front Grill	22415010
29	Compressor and Fittings	00900100019501
30	Reactor	N/A
31	Clapboard Sub-Assy	01235088
32	Capacitor CBB65	N/A
	EXV Coil	7200200001202

GWH24QE-K3DNB2H/I

Exploded View



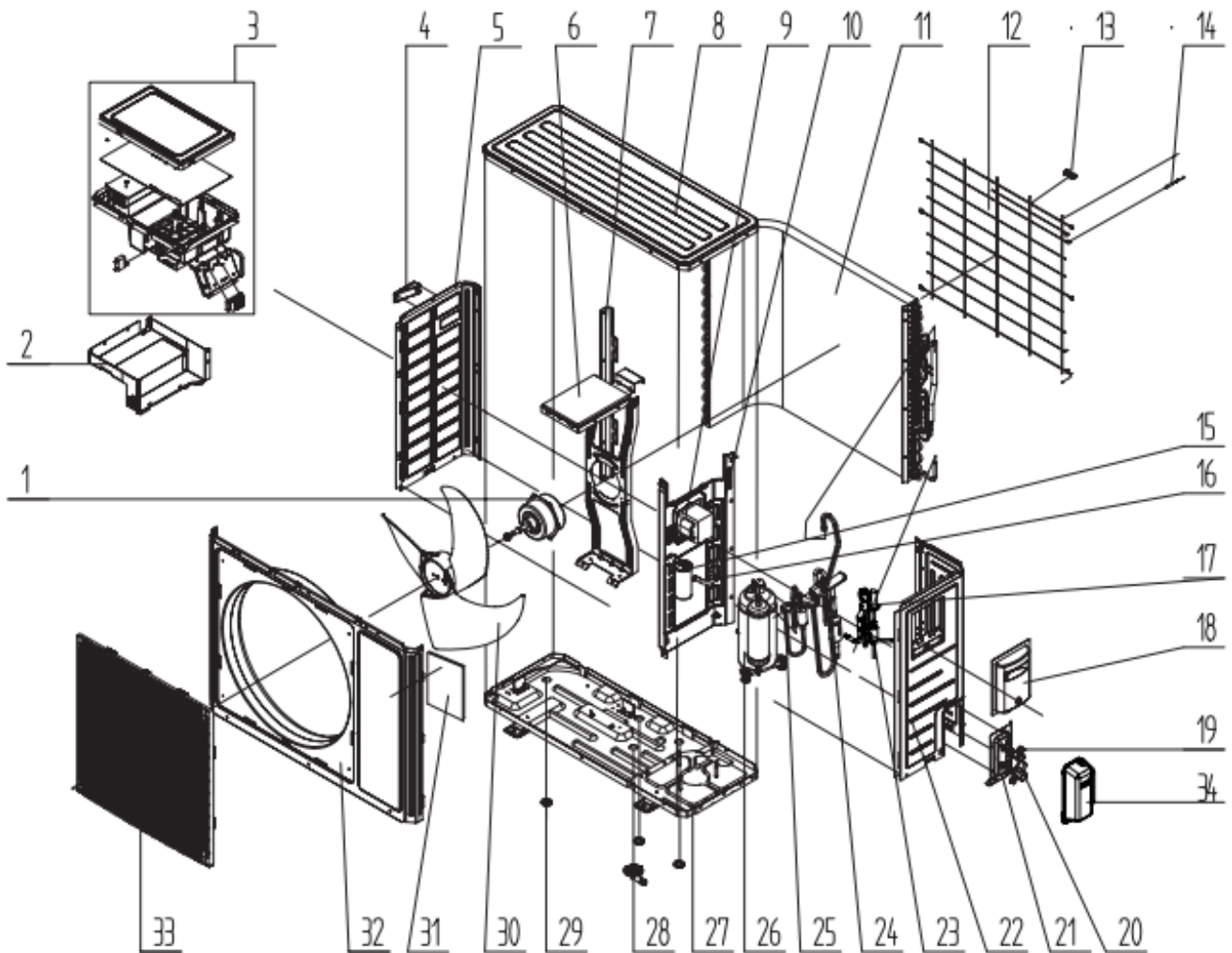
GWH24QE-K3DNB2H/I

Spare Parts List

No.	Part Description	Part Code
1	Front Panel	20000300016S
2	Filter Sub-Assy	1101200703
3	Front Case Assy	00000200043
4	Guide Louver	1051232001
5	Air Louver 1	10512742
6	Swing Lever	10512743
7	Helicoid Tongue	26112513
8	Left Axile Bush	10512037
9	Rear Case Assy	22202736
10	Rubber Plug (Water Tray)	76712012
11	Ring of Bearing	26152025
12	O-Gasket sub-assy of Bearing	76512051
13	Cross Flow Fan	10352057
14	Evaporator Support	24212178
15	Evaporator Assy	011001000095
16	Cold Plasma Generator	N/A
17	Wall Mounting Frame	01252229
18	Motor Press Plate	26112515
19	Fan Motor	15012136
20	Connecting pipe clamp	26112514
21	Drainage Hose	0523001405
22	Stepping Motor	1521240212
23	Crank	73012005
24	Stepping Motor	1521210704
25	Air Louver 1	10512741
26	Air Louver	10512744
27	Axile Bush	10542036
28	Electric Box	20112211
29	Terminal Board	42011233
30	Electric Box Cover2	20112210
31	Test Board Assy	000409000001
32	Main Board	300002060249
33	Display Board	30565260
34	Shield Cover of Electric Box Cover	01592176
35	Electric Box Cover	20112209
36	Jumper	4202021926
37	Lower Shield of Electric Box	01592139
38	Electric Box Assy	100002064353
39	Power Cord	N/A
40	Connecting Cable	4002052317
41	Temperature Sensor	3900031302
42	Remote Control	305001060019
43	Detecting plate(WIFI)	30110144

GWH24QE-K3DNB2H/O

Exploded View



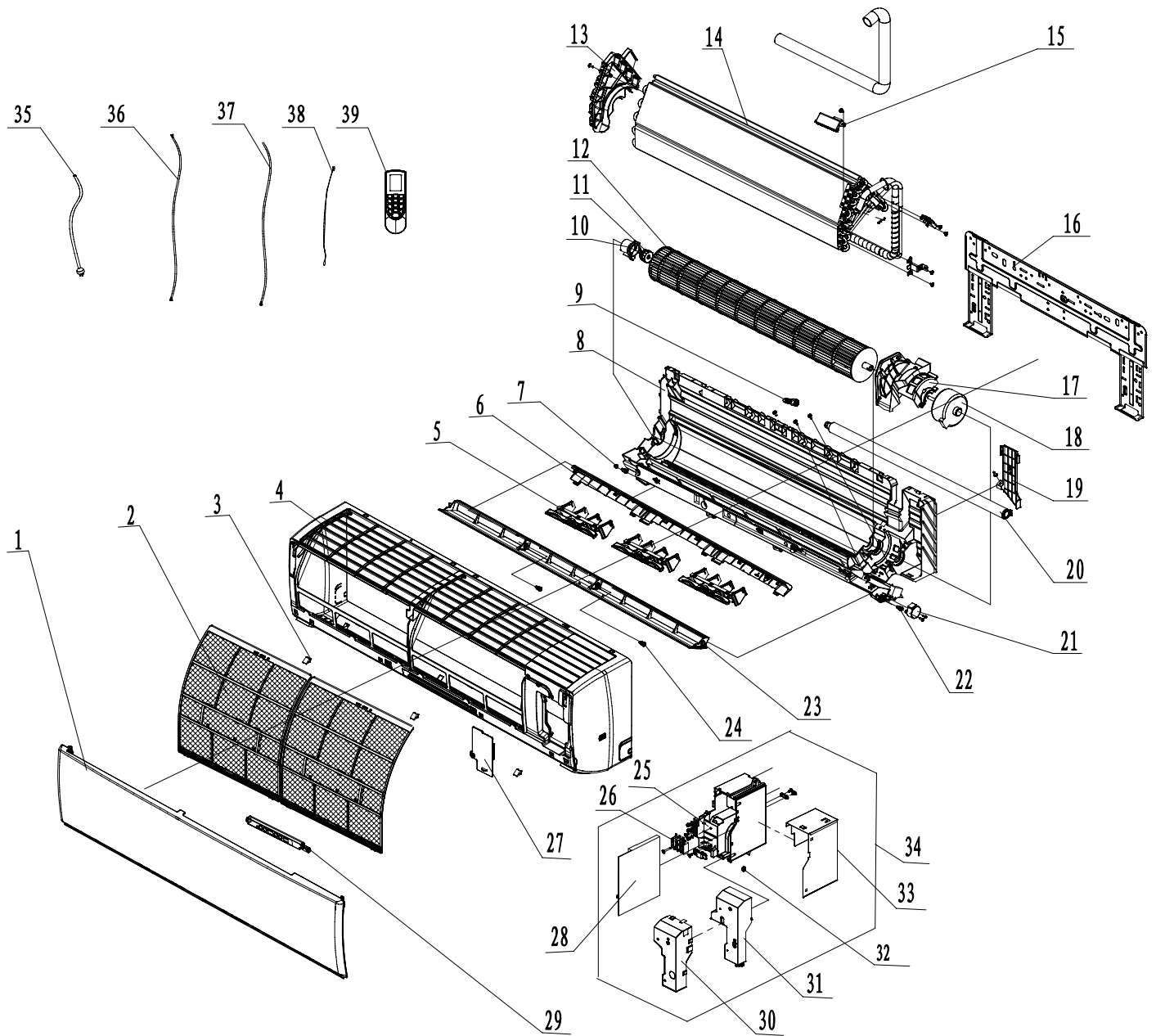
GWH24QE-K3DNB2H/O

Spare Parts List

No.	Part Description	Part Code
1	Fan Motor	1501506402
2	Electric Box (Fireproofing)	N/A
3	Electric Box Assy/Main Board	100002061623/300027060198
4	Handle	26233053
5	Left Side Plate	01305093P
6	Motor Support Sub-Assy	01705067
7	Condenser Support Plate	01795031
8	Top Cover Sub-Assy	000051000017
9	Reactor	N/A
10	Clapboard Sub-Assy	01235081
11	Condenser Assy	011002000177
12	Rear Grill	01475020
13	Wire Clamp	71010103
14	Temperature Sensor	3900030902
15	Capacitor CBB65	N/A
16	Capacitor Clamp sub-assy	N/A
17	Electric Expand Valve Fitting	43000344
18	Handle	2623525404
19	Cut off Valve	07133844
20	Cut off Valve	07130239
21	Valve Support Sub-Assy	01705046P
22	Right Side Plate	0130509001P
23	Electronic Expansion Valve assy	030174000041
24	4-Way Valve Assy	030152000318
25	Compressor Gasket	009012000004
26	Compressor and Fittings	00900100019501
27	Chassis Sub-assy	01205816P
28	Drainage Connector	06123025
29	Drainage Plug	N/A
30	Axial Flow Fan	10335008
31	Insulated Board (Cover of Electric Box)	20113003
32	Front Panel	01535013P
33	Front Grill	22415010
	EXV Coil	4300034401

GWH28QE-K3DNB2H/I

Exploded View



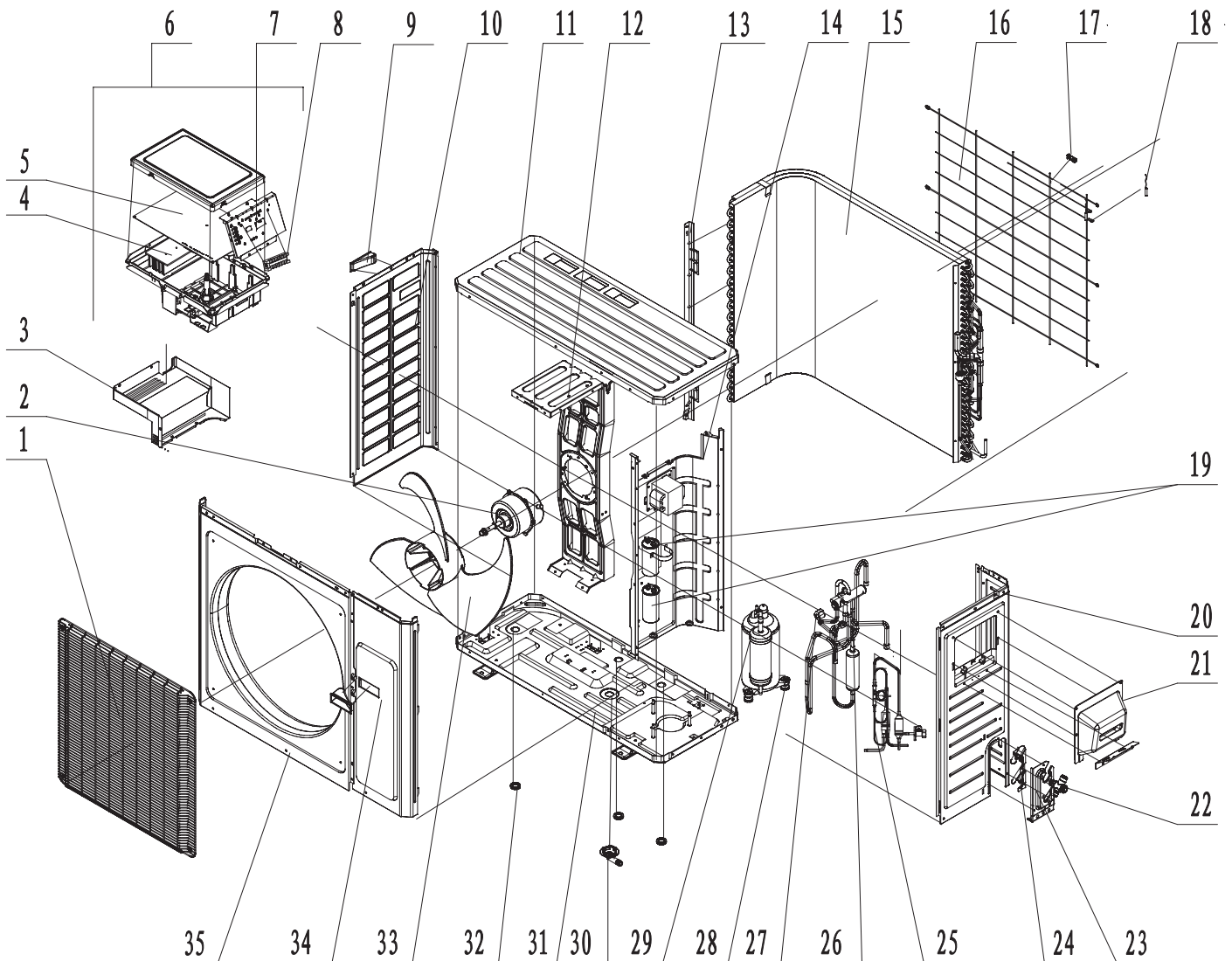
GWH28QE-K3DNB2H/I

Spare Parts List

No.	Part Description	Part Code
1	Front Panel	20000300016S
2	Filter Sub-Assy	1101200703
3	Screw Cover	2425245301
4	Front Case Assy	00000200043
5	Air Louver	10512744
6	Helicoid Tongue sub-assy	26112384
7	Left Axile Bush	10512037
8	Rear Case assy	22202736
9	Rubber Plug (Water Tray)	76712012
10	Ring of Bearing	26152025
11	O-Gasket sub-assy of Bearing	76512051
12	Cross Flow Fan	10352057
13	Evaporator Support	24212178
14	Evaporator Assy	011001000095
15	Cold Plasma Generator	N/A
16	Wall Mounting Frame	012043000007
17	Motor Press Plate	26112515
18	Fan Motor	15012136
19	Connecting pipe clamp	26112514
20	Drainage Hose	0523001405
21	Stepping Motor	1521240212
22	Crank	73012005
23	Guide Louver	1051232001
24	Axile Bush	10542036
25	Electric Box	20112211
26	Terminal Board	42011233
27	Electric Box Cover2	20112210
28	Main Board	300002060249
29	Display Board	30565260
30	Shield Cover of Electric Box	01592176
31	Electric Box Cover	20112209
32	Jumper	4202021926
33	Lower Shield of Electric Box	01592139
34	Electric Box Assy	100002064353
35	Power Cord	N/A
36	Connecting Cable	4002052318
37	Connecting Cable	N/A
38	Temperature Sensor	3900031302
39	Remote Control	305001060019

GWH28QE-K3DNB2H/O

Exploded View



GWH28QE-K3DNB2H/O

Spare Parts List

No.	Part Description	Part Code
1	Front Grill	22415011
2	Brushless DC Motor	15010400000102
3	Electric Box (Fireproofing)	N/A
4	Radiator	4901521502
5	Main Board	300027060197
6	Electric Box Assy	100002061625
7	Terminal Board Support sub-assy	01715016
8	Terminal Board	422000060009
9	Handle	26233053
10	Left Side Plate	01305043P
11	Coping	01255020P
12	Motor Support Sub-Assy	017012000015
13	Condenser Support Plate	01175092
14	Clapboard Sub-Assy	01702100004
15	Condenser Assy	011002000459
16	Rear Grill	01475013
17	Wiring Clamp	26115004
18	Temperature Sensor	3900030901
19	Capacitor CBB65	N/A
20	Right Side Plate	0130504401P
21	Big Handle	26235001
22	Cut off Valve	07133157
23	Valve Support Sub-Assy	0171501201P
24	Baffle (valve support)	N/A
25	Capillary Tube	03015737
26	4-Way Valve Assy	030152000333
27	Magnet Coil	4300040045
28	Compressor Gasket	009012000004
29	Compressor and Fittings	00900100019501
30	Drainage Connector	06123401
31	Chassis Sub-assy	02803196P
32	Drainage Plug	N/A
33	Axial Flow Fan	10335014
34	Front Side Plate	01305086P
35	Front Panel Assy	02200200001
	EXV Coil	43000344

It is the policy of Gree Australia to introduce continuous product improvements.
Accordingly, specifications are subject to change without notice.
Please consult with your dealer to confirm the specifications of the model selected.

1800 473 346
greeac.com.au

